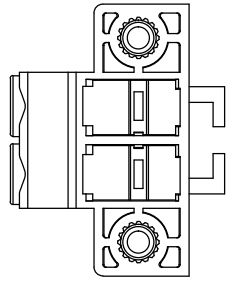
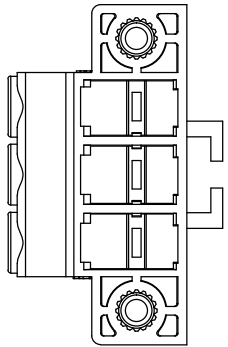


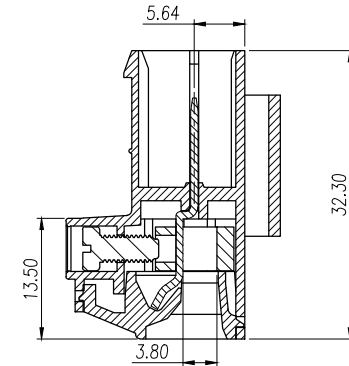
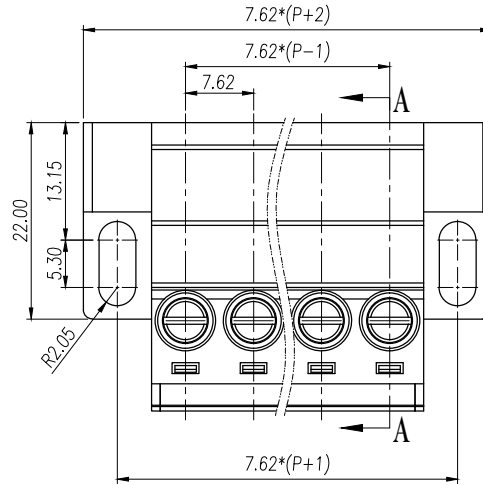
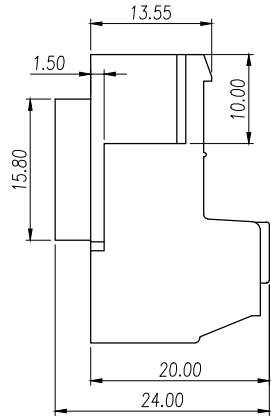
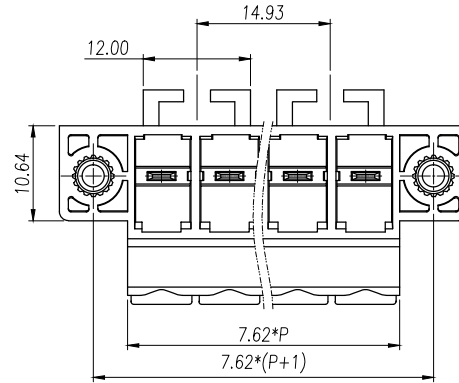
REVISION RECORD			
REV.	CONTENT	MOD.	DATE
△	出版发行		



2P



3P



SECTION A-A

NOTES:

- 1.Voltage Rating: 380V, Current Rating: 32A
- 2.PITCH: 7.62mm
- 3.Insulation Withstands Voltage: AC2500V/min
- 4.Using Temperature Range:-40℃~+105℃
- 5.Suitable Electric Wire: 24-10 AWG
- 6.Screw Torque Value: 0.5N.m

技术要求:

1. 额定电压: 380V, 额定电流: 32A
2. 间距: 7.62mm
3. 耐电压值: AC2500V/min
4. 使用条件: -40° - +105°
5. 适用线规: 24-10 AWG
6. 螺丝扭矩: 0.5N.m

	pitch dimension			Nominal dimension					— /
	over 0	over 6	over 10	over 0	over 30	over 60	over 100	over 150	
variable range	to 6	to 10	to 24	to 30	to 60	to 100	to 150		▱ ○
Tolerance	±0.1	±0.15	±0.25	±0.2	±0.3	±0.5	±0.7	±1.0	0.05/10

6	LZ1HM-7.62耳朵螺母	SM00B300000V	2	黄铜	
5	M3*6.6一字平头螺丝	SP0YA306601V	P	碳钢	三价铬钝化彩锌
4	UDK4-铜方块	F1C0BLC1H03V	P	黄铜	镀镍
3	LC10H-7.62-方针	1156B0001AV	P	紫铜	镀雾锡
2	LC1H-7.62-盖板	1153C0YXXAV	1	PA66-V0	
1	LC10HUMG-7.62-主体	1159M0YXXAV	1	PA66-V0	
NO.	NAME OF PART	NO. OF PART	Q' TY	MATERIAL	NOTES
DES.	CMZ	DATE	2024/08/27	UNITS	MM
CHK.		DATE		SIZE	A4
APP.		DATE		SCALE	1:1
				DWG NO.	SP-2-1159002
				REV:	V0
<b>上海有乐电气有限公司</b> Shanghai Youle Electric Co., LTD				TITLE	LC10HUMG-7.62-XXP-1Y-00A
					LC10HUMG-7.62-成品