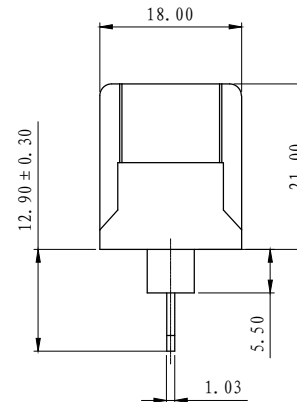
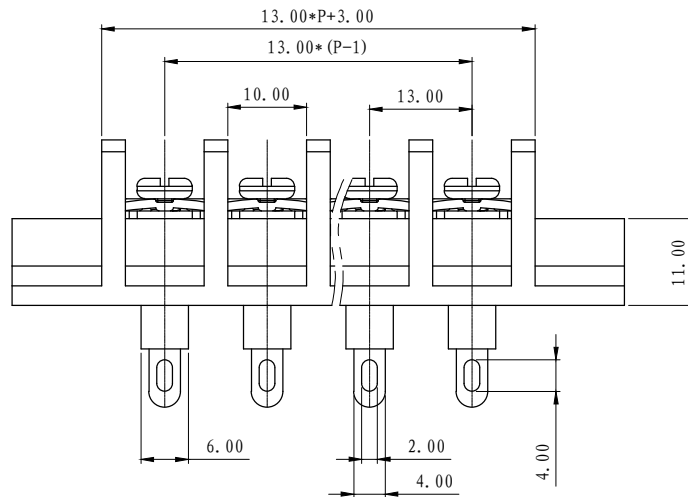
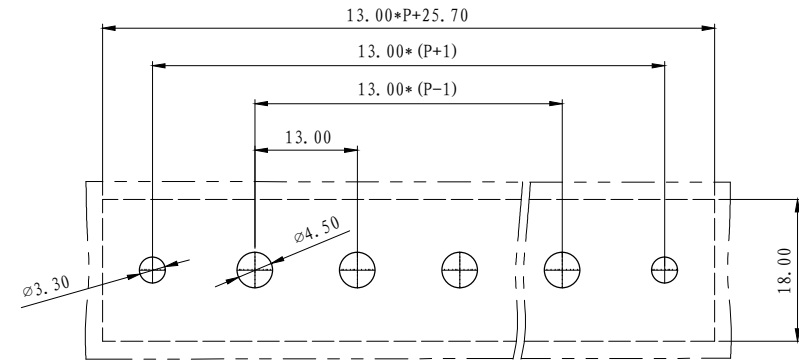
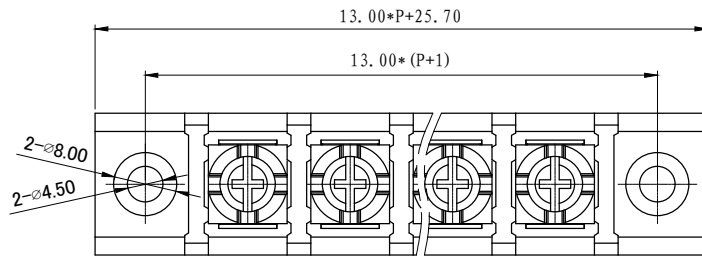


REVISION RECORD

REV.	CONTENT	MOD.	DATE
△	初版发行		



NOTES1:

UL Standard:
 1.Voltage Rating : 600V , Current Rating : 40A
 IEC Standard:
 1.Voltage Rating : 600V , Current Rating : 41A

技术要求1:

UL 标准:
 1. 额定电压: 600V 额定电流: 40A
 IEC 标准:
 1. 额定电压: 600V 额定电流: 41A

NOTES2:

Pitch : 13.0mm
 Withstand Voltage :
 AC3000V for 1 minute
 Insulation Resistance :
 1000MΩ / DC1000V
 Using Temperature Range :
 - 40℃ ~ + 130℃
 Wire range : 18~10 AWG
 Screw Torque Value : 1.2Nm

技术要求2:

间距: 13.0mm
 耐电压值: AC3000V/min
 绝缘阻抗: 1000MΩ/DC1000V
 使用条件: -40℃~+130℃
 适用线规: 18~10 AWG
 螺丝扭矩: 1.2Nm

	pitch dimension			Nominal dimension					—
	over 0	over 6	over 10	over 0	over 30	over 60	over 100	over 150	
variable range	to 6	to 10	to 24	to 30	to 60	to 100	to 150		▱
Tolerance	±0.1	±0.15	±0.25	±0.2	±0.3	±0.5	±0.7	±1.0	○

4	LW-圆柱	5034A0Y01V	P	PA66	
3	LW1Q-13.0-焊脚	5020B0003AV	P	黄铜	镀雾锡
2	M4*8-10*10	SQFFA408073V	P	碳钢	三价铬钝化彩锌
1	LW1M-13.0-主体	5020M0YXXAV	1	PBT	
NO.	NAME OF PART	NO. OF PART	QTY	MATERIAL	NOTES
DES.	陈明珠	DATE 2024/04/18	UNITS mm	THIRD ANGLE PROJECTION	
CHK.	张华丰	DATE 2024/04/18	SIZE A4	1 of 1	
APP.		DATE	SCALE 1:1	DWG NO.	SP-2-5020022 REV: V0
上海有乐电气有限公司 Shanghai YouLe Electric CO.,LTD				TITLE	LW1MJJ-13.0-XXP-1Y-00A
					LW1MJJ-13.0-成品