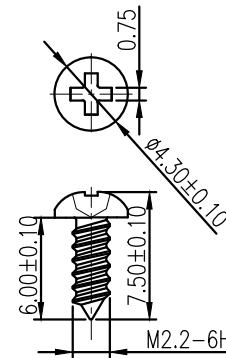
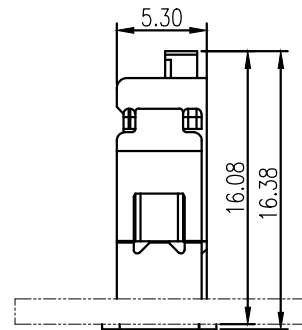
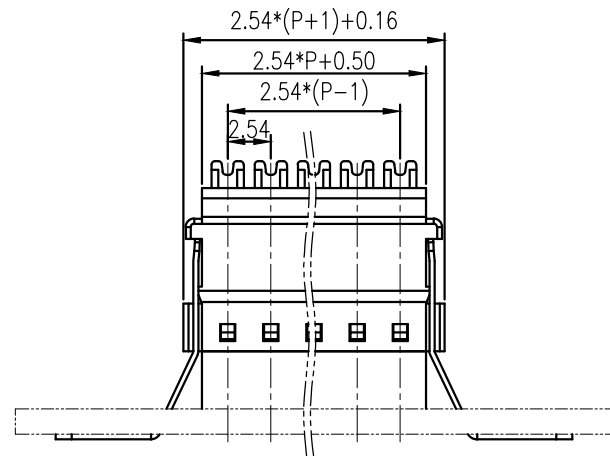
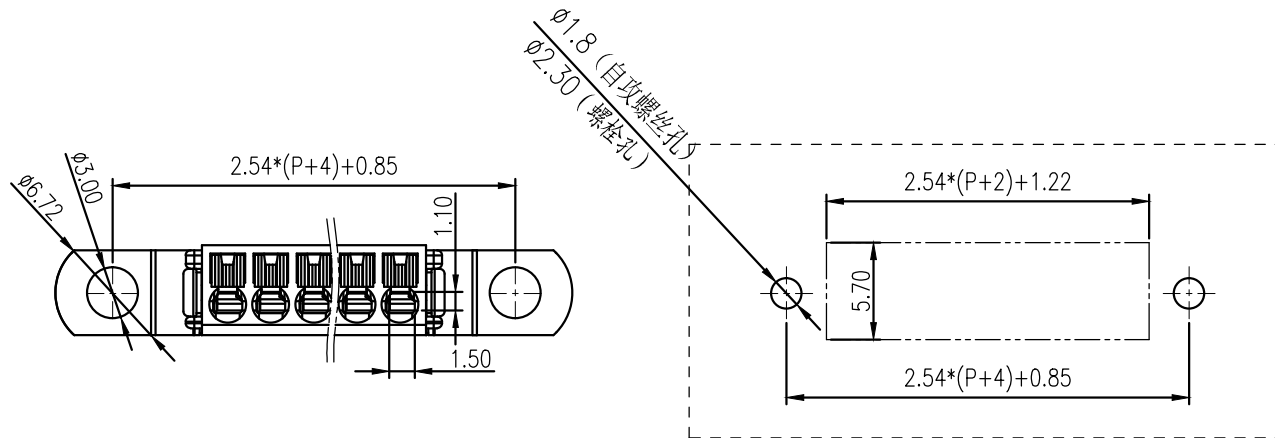


REVISION RECORD			
REV.	CONTENT	MOD.	DATE
△	初版发行		



NOTES:

1. Voltage Rating: 160V, Current Rating: 6A
2. PITCH: 2.54mm
3. Insulation Withstands Voltage: AC2000V/min
4. Insulation Resistance: 500MΩ or more at DC500V
5. Using Temperature Range: -40°C ~ +105°C
6. Suitable Electric Wire: 26-20AWG

技术要求:

1. 额定电压: 160V, 额定电流: 6A
2. 间距: 2.54mm
3. 耐电压值: AC 2000V/min
4. 绝缘阻抗500兆欧
5. 使用条件: -40°C ~ +105°C
6. 适用线规: 26-20AWG

	pitch dimension			Nominal dimension					— /
	over 0 to 6	over 6 to 10	over 10 to 24	over 0 to 30	over 30 to 60	over 60 to 100	over 100 to 150	over 150	
variable range	0	6	10	0	30	60	100	150	□
Tolerance	±0.1	±0.15	±0.25	±0.2	±0.3	±0.5	±0.7	±1.0	○

7	M2.2*6.5圆头自攻螺丝	SQZSA226509V	2	碳钢	蓝白锌
6	LC80C-2.54穿墙件	1170B0002AV	2	SUS301	
5	LC80针	1170B0001AV	2	磷青铜	镀亮锡
4	LC8-2.54弹片	1169B0002AV	P	不锈钢	
3	LC8按钮	1169D0Y01AV	P	POM	
2	LC80-2.54-F盖板	1258C0YXXAV-2	1	PA66	
1	LC8M-2.54主体	1169M0YXXAV	1	PA66	
NO.	NAME OF PART	NO. OF PART	Q'TY	MATERIAL	NOTES
DES.	吴央阳	DATE	24-02-19	UNITS	mm
CHK.	张华丰	DATE	24-02-19	SIZE	A4
APP.		DATE		SCALE	1:1
				DWG NO.	SP-2-1172001
				TITLE	REV: V0
				LC80C-2.54-XXP-1Y-00F	
				LC80C-2.54-成品	



上海有乐电气有限公司
Shanghai YouLe Electric CO.,LTD

TITLE

LC80C-2.54-XXP-1Y-00F
LC80C-2.54-成品