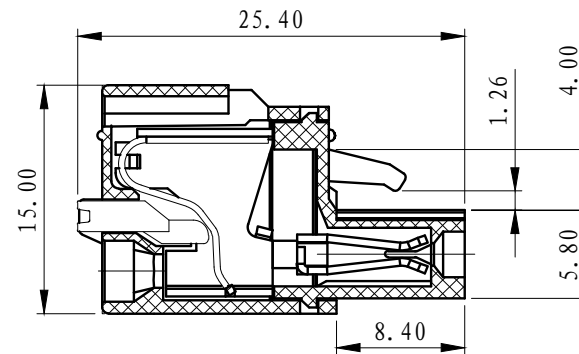
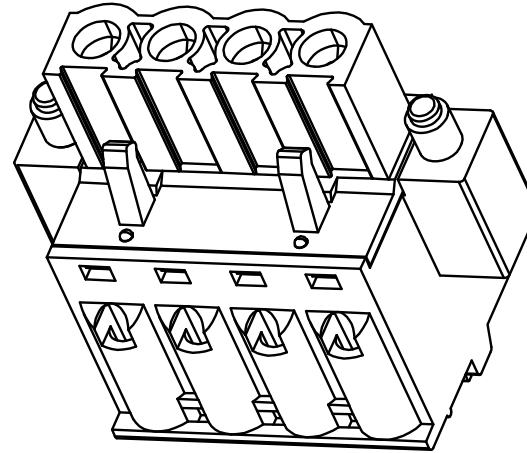
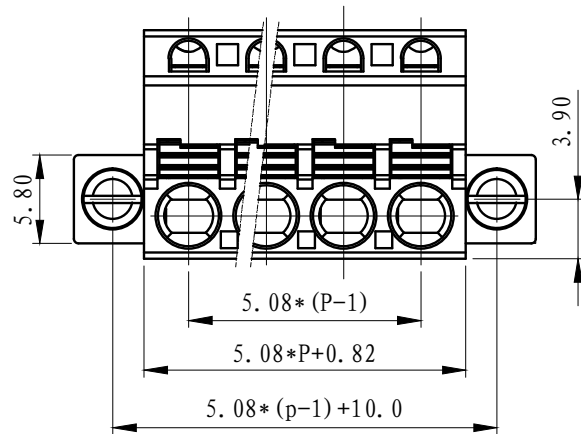
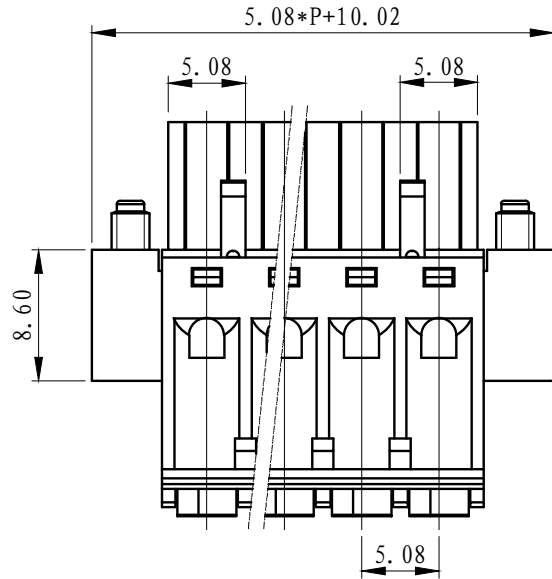


REVISION RECORD			
REV.	CONTENT	MOD.	DATE
△	初版发行		



NOTES:
Pitch : 5.08mm
Rated Voltage : 300V
Rated Current : 10A
Withstand Voltage :
AC2500V for 1 minute
Insulation Resistance :
500MΩ / DC500V
Using Temperature Range :
- 40℃ ~ + 105℃
Wire range : 26~ 12AWG
Stripping length : 10mm

技术要求:
间距: 5.08mm
额定电压: 300V
额定电流: 10A
耐电压值: AC2500V/min
绝缘阻抗: 500MΩ/DC500V
使用条件: -40℃~+105℃
适用线规: 26~12AWG
剥线长度: 10mm

6	LC1-耳朵螺丝	SP0YA255101V	2	碳钢	三价铬钝化彩锌
5	LC6-5.08-盖子	1020C0YXXAV	1	PA66-V0	
4	LC6-5.08-夹子	1020B0001AV	P	磷青铜	镀镍
3	LC6-5.08-弹片	F2A0DLC608BV	P	不锈钢	
2	LC6-5.08-按钮	1020D0YXXAV	P	PA66-V0	
1	LC6M-5.08-主体	1020M0YXXAV	1	PA66-V0	
NO.	NAME OF PART	NO. OF PART	Q' TY	MATERIAL	NOTES
DES.	ARKINE	DATE 2011/03/08	UNITS	MM	THIRD ANGLE PROJECTION SHEET
CHK.		DATE	SIZE	A4	1 of 1
APP.		DATE	SCALE	1:1	DWG NO. SP-2-1020001 REV:V0
 上海有乐电气有限公司 Shanghai YouLe Electric C O.,LTD				TITLE	LC6M-5.08-XXP-1Y-00A LC6M-5.08-成品

	pitch dimension			Nominal dimension					—
	over 0	over 6	over 10	over 0	over 30	over 60	over 100	over 150	
variable range	to 6	to 10	to 24	to 30	to 60	to 100	to 150		□
Tolerance	±0.1	±0.15	±0.25	±0.2	±0.3	±0.5	±0.7	±1.0	○