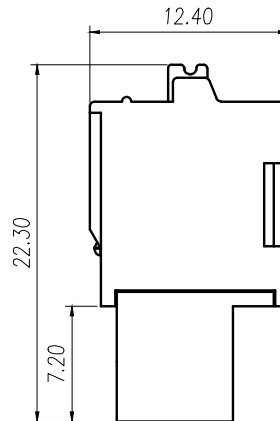
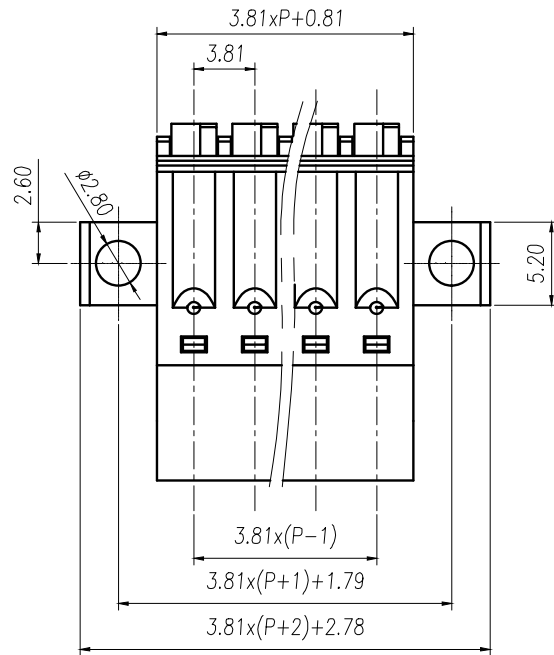
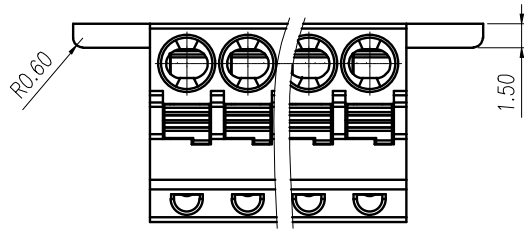


REVISION RECORD			
REV.	CONTENT	MOD.	DATE
△	初版发行		



NOTES1:

UL Standard:

- 1.Voltage Rating: 300V, Current Rating: 8A
- 2.Suitable Electric Wire: 28-16AWG

IEC Standard:

- 1.Voltage Rating: 160V, Current Rating: 8A
- 2.Suitable Electric Wire: 26-14AWG

NOTES2:

- 1.Pitch : 3.81mm
- 2.Withstand Voltage : AC2500V for 1 minute
- 3.Insulation Resistance : 500MΩ / DC500V
- 4.Using Temperature Range : - 40℃ ~ + 105℃

技术要求1:

UL 标准:

1. 额定电压: 300V, 额定电流: 8A
2. 适用线规: 28~16AWG

IEC 标准:

1. 额定电压: 160V, 额定电流: 8A
2. 适用线规: 26~14AWG

技术要求2:

1. 间距: 3.81mm
2. 耐电压值: AC2500V/min
3. 绝缘阻抗: 500MΩ/DC500V
4. 使用条件: -40℃~+105℃

	pitch dimension			Naminal dimension					— ◇ ○
	over 0	over 6	over 10	over 0	over 30	over 60	over 100	over 150	
variable range	to 6	to 10	to 24	to 30	to 60	to 100	to 150		
Tolerance	±0.1	±0.15	±0.25	±0.2	±0.3	±0.5	±0.7	±1.0	0.05/10

5	LC60-3.81五金件	2079B0001AV	P	磷青铜	镀亮锡
4	LC6-3.81-弹片	F2A0DLC638BV	p	不锈钢	
3	LC6-3.81-按钮	1043D0YXXAV	P	POM	
2	LC60-3.81-盖板	2081M0YXXAV	1	PA66-V0	
1	LC60N-3.81-本体	2082A0YXXAV	1	PA66-V0	
NO.	NAME OF PART	NO. OF PART	Q' TY	MATERIAL	NOTES
DES.	WY	DATE	2020/06/01	UNITS	MM
CHK.		DATE		SIZE	A4
APP.		DATE		SCALE	1:1
				DWG NO.	SP-1-2082140
				TITLE	LC60N-3.81-XXP-1Y-00A
					LC60N-3.81-成品



上海有乐电气有限公司  
Shanghai YouLe Electric C O.,LTD